



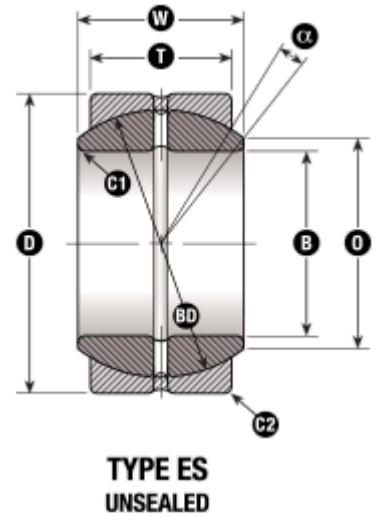
GEZ12ES BEARING

LOAD SERIES INCH | STANDARD DUTY UNSEALED SPHERICAL PLAIN BEARING

Part No. **GEZ12ES**

SPECIFICATIONS

Sealed	No
Ball Bore Diameter	B 1/2" [.500"] ±0.0005
Outside Diameter ¹	D .8750" ±0.0005
Ball Width	W .437" ±0.005
Race Width	T .375" ±0.005
Ball Diameter Ref	BD .719"
Tilt Angle ²	α 6 deg
Shoulder Diameter Ref	O .539"
Shaft Fillet Max	C1 .005"
Housing Fillet Max	C2 .023"
Static Radial Load ³	9,337 Lbf
Dynamic Radial Load ³	3,156 Lbf



*Stainless option is available in most sizes.

- ¹ All tolerances in this catalog are before the outer races are fractured and before application of dry film lubricant
- ² Seals may reduce tilt angle
- ³ Ultimate loads for the bearings in this catalog are approximately 1.5 times the catalog load ratings

INTERCHANGE

Part No GEZ12ES is an interchangeable replacement for these common bearing part numbers:

SKF Bearing	GEZ008ES	R.B.C. Bearing	B8L
TORRINGTON Bearing	5SF8	IKO Bearing	SBB 8