



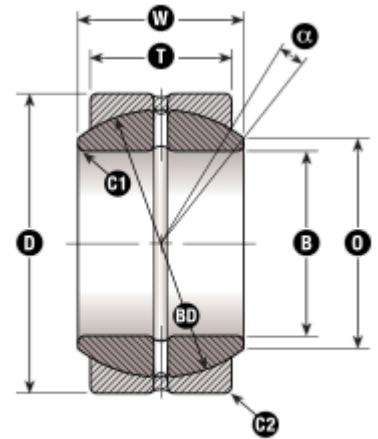
# GEZ19ES BEARING

LOAD SERIES INCH | STANDARD DUTY UNSEALED SPHERICAL PLAIN BEARING

Part No. **GEZ19ES**

## SPECIFICATIONS

Sealed	No
Ball Bore Diameter	<b>B</b> 3/4" [.750"] ±0.0005
Outside Diameter <sup>1</sup>	<b>D</b> 1.2500" ±0.0005
Ball Width	<b>W</b> .656" ±0.005
Race Width	<b>T</b> .562" ±0.005
Ball Diameter Ref	<b>BD</b> 1.080"
Tilt Angle <sup>2</sup>	<b>α</b> 6 deg
Shoulder Diameter Ref	<b>O</b> .823"
Shaft Fillet Max	<b>C1</b> .011"
Housing Fillet Max	<b>C2</b> .039"
Static Radial Load <sup>3</sup>	20,927 Lbf
Dynamic Radial Load <sup>3</sup>	7,089 Lbf



**TYPE ES  
UNSEALED**

\*Stainless option is available in most sizes.

- <sup>1</sup> All tolerances in this catalog are before the outer races are fractured and before application of dry film lubricant
- <sup>2</sup> Seals may reduce tilt angle
- <sup>3</sup> Ultimate loads for the bearings in this catalog are approximately 1.5 times the catalog load ratings

## INTERCHANGE

Part No GEZ19ES is an interchangeable replacement for these common bearing part numbers:

SKF Bearing	<b>GEZ102ES</b>	R.B.C. Bearing	<b>B12L</b>
TORRINGTON Bearing	<b>7SF12</b>	INA Bearing	<b>GE19ZO</b>
IKO Bearing	<b>SBB 12</b>		