



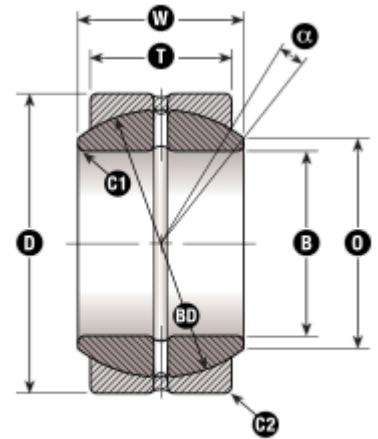
GEZ31ES BEARING

LOAD SERIES INCH | STANDARD DUTY UNSEALED SPHERICAL PLAIN BEARING

Part No. **GEZ31ES**

SPECIFICATIONS

Sealed	No
Ball Bore Diameter	B 1 1/4" [1.250"] ±0.0005
Outside Diameter ¹	D 2.0000" ±0.0005
Ball Width	W 1.093" ±0.005
Race Width	T .937" ±0.005
Ball Diameter Ref	BD 1.795"
Tilt Angle ²	α 6 deg
Shoulder Diameter Ref	O 1.370"
Shaft Fillet Max	C1 .023"
Housing Fillet Max	C2 .039"
Static Radial Load ³	58,507 Lbf
Dynamic Radial Load ³	19,468 Lbf



**TYPE ES
UNSEALED**

*Stainless option is available in most sizes.

- ¹ All tolerances in this catalog are before the outer races are fractured and before application of dry film lubricant
- ² Seals may reduce tilt angle
- ³ Ultimate loads for the bearings in this catalog are approximately 1.5 times the catalog load ratings

INTERCHANGE

Part No GEZ31ES is an interchangeable replacement for these common bearing part numbers:

SKF Bearing	GEZ104ES	R.B.C. Bearing	B20L
TORRINGTON Bearing	12SF20	INA Bearing	GE31ZO
IKO Bearing	SBB 20		