



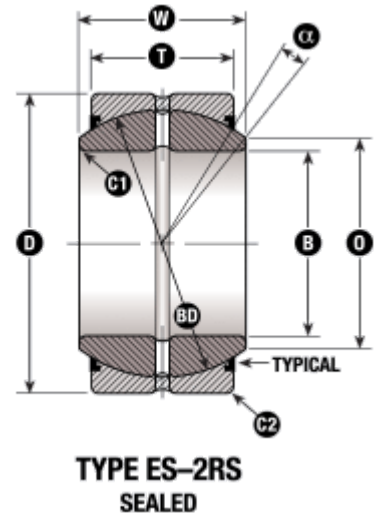
# GEZ38ES-2RS BEARING

LOAD SERIES INCH | STANDARD DUTY SEALED SPHERICAL PLAIN BEARING

Part No. **GEZ38ES-2RS**

## SPECIFICATIONS

Sealed	Yes
Ball Bore Diameter	<b>B</b> 1 1/2" [1.500"] ±0.0005
Outside Diameter <sup>1</sup>	<b>D</b> 2.4375" ±0.0006
Ball Width	<b>W</b> 1.312" ±0.005
Race Width	<b>T</b> 1.125" ±0.005
Ball Diameter Ref	<b>BD</b> 2.155"
Tilt Angle <sup>2</sup>	<b>α</b> 6 deg
Shoulder Diameter Ref	<b>O</b> 1.630"
Shaft Fillet Max	<b>C1</b> .023"
Housing Fillet Max	<b>C2</b> .039"
Static Radial Load <sup>3</sup>	84,379 Lbf
Dynamic Radial Load <sup>3</sup>	28,129 Lbf



\*Stainless option is available in most sizes.

- <sup>1</sup> All tolerances in this catalog are before the outer races are fractured and before application of dry film lubricant
- <sup>2</sup> Seals may reduce tilt angle
- <sup>3</sup> Ultimate loads for the bearings in this catalog are approximately 1.5 times the catalog load ratings

## INTERCHANGE

Part No GEZ38ES-2RS is an interchangeable replacement for these common bearing part numbers:

SKF Bearing	<b>GEZ108ES-2RS</b>	R.B.C. Bearing	<b>B24-LSS</b>
TORRINGTON Bearing	<b>15SF24-TT</b>	INA Bearing	<b>GE38ZO-2RS</b>
IKO Bearing	<b>SBB 24-2RS</b>		